



HAND PALLET TRUCK M25

CAPACITY 2500 KG | SERIES 033-01

Safety

At Linde, safety receives the closest attention in material handling trucks of every size. The wide handle of the Linde control tiller provides the operator with the necessary sense of safety, effectively protecting the hands throughout every maneuver, while the low-slung chassis prevents risk of foot injury.

Performance

Air and dust-tight enclosure of the hydraulic circuit ensures trouble-free operation over long periods of time, no matter how harsh conditions may be on site. With the Quick-lift feature, loads weighing up to 200 kg can be lifted to maximum height in half the time. The M25 is a hand pallet truck for peak performance.

Comfort

The Linde M25 hand pallet truck lives up to its purpose of a high-convenience all-around helper. Functional design devoid of all sharp corners and edges plus a large steering pivot angle of 102.5 to either side make it exceptionally manageable and manoeuvrable inside a trailer or in other tight spaces.

Reliability

The European quality torsion-resistant construction of the strong chassis permits safe handling of loads up to 2500 kg. When the maximum load capacity is exceeded, oil pressure exceeds its maximum limit and the valve automatically locks the forks. Thus possible structural damage is avoided. The frame is varnished with polyester powder at a temperature of 250° to guarantee maximum resistance.

Service

Effective and cost-efficient at work. Steer and load wheels are of very high quality, quiet running and low in rolling resistance. Bush bearings are fitted on all joints, making it an exceptionally low-maintenance hand pallet truck.

TECHNICAL DATA

ACCORDING TO VDI 2198

Characteristics	1.1	Manufacturer		LINDE
	1.2	Model designation		M25
	1.5	Load capacity	Q (kg)	2500 kg
	1.6	Load centre distance	c (mm)	600
	1.8	Load distance, center of drive axle to fork	x (mm)	932
	1.9	Wheelbase	y (mm)	1192
Weight	2.1	Service weight (incl. battery item 6.5)	kg	63
	3.1	Tyres		Polyurethane / Nylon
Wheels and types	3.2	Tyre size, front		Ø 200 X 55
	3.3	Tyre size, rear		Ø 83 X Ø 82 - 60
	3.5	Wheels, number front/rear (x = driven)		2/2-2/4
	3.7	Track width, rear	b11 (mm)	375
Dimensions	4.4	Lift	h3 (mm)	115
	4.15	Fork height, lowered	h13 (mm)	85
	4.19	Overall length	l1 (mm)	1550
	4.20	Length to fork face	l2 (mm)	400
	4.21	Overall width	B1/ b2 (mm)	525
	4.22	Fork dimensions	s/ e/ l (mm)	55/ 150/ 1150
	4.25	Fork spread, min/ max	b5 (mm)	525
	4.32	Ground clearance, centre of wheel base	m2 (mm)	30
	4.34	Aisle width for pallets 800x1200 along forks	Ast (mm)	1835
	4.35	Turning radius	Wa (mm)	1367

STANDARD EQUIPMENT / OPTIONAL EQUIPMENT

STANDARD EQUIPMENT

Nylon wheels for low rolling resistance

Single load wheels

Truck width 525 mm

Fork length 1150 mm

Ergonomic, plastic-covered Linde comfort-class control tiller

Steering pivot angle 102,5° to either side

Packaged, enclosed lift unit

Overload relief valve

OPTIONAL EQUIPMENT

Solid rubber or polyurethane steer wheels

Tandem load wheels

Polyurethane load wheels

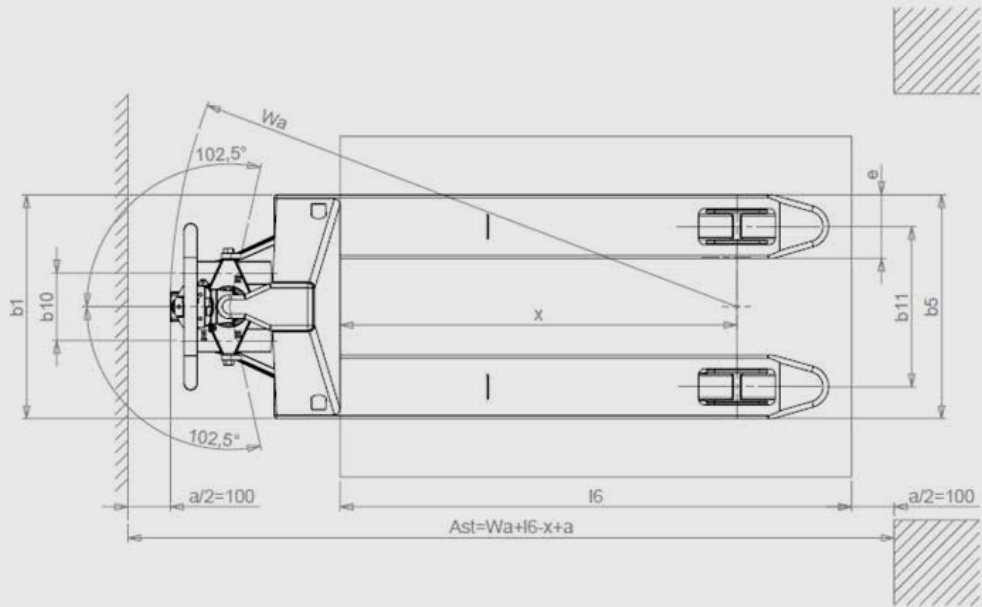
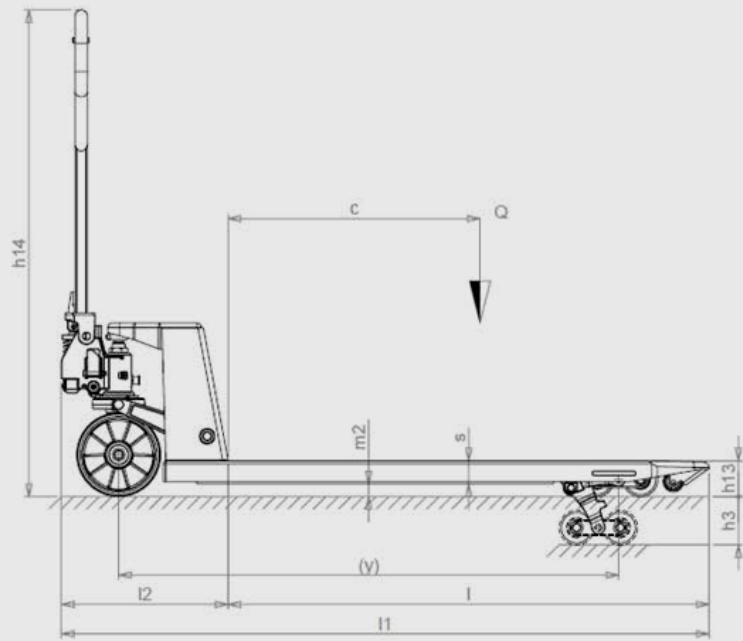
Fork lengths 800*, 950*, 1000*, 1220* mm

Quick lift

Hot galvanized version*

AISI 304 stainless version *

*limited wheel choice, limited fork length choice



FEATURES

Minimal servicing requirements

- All joints fitted with bush bearings as standard
- Exceptionally low maintenance requirements

Hot galvanized

- Hot galvanized chassis (over 350 °) with a thickness of around 100 µm
- Cold galvanized handle and pump body with a thickness of around 35 µm
- Wheel axle and wheel bearings in stainless steel
- Life time extended at minimum 10 times



Quick hydraulic lift unit

- Hydraulic circuit sealed to preserve smooth working characteristics
- Quick-lift feature as option (active with loads up to 200 kg), lifts to maximum height in half the time

Stainless version

- AISI 304: standard stainless version for moisture working areas



Linde control tiller

- Wide handle for effortless steering
- Optimum hand protection
- Convenient manoeuvring due to 210 ° steering pivot angle
- Plastic handle covering affords pleasant and secure grip at all ambient temperatures

Chassis

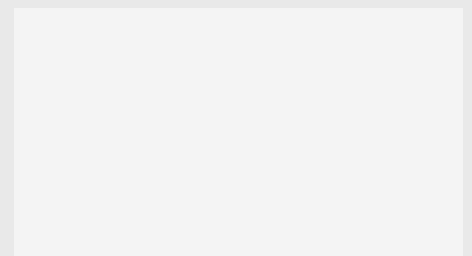
- Sturdy, torsion-resistant steel construction
- Reinforced tiller base ensures long life
- High-grade powder coat finish

Smooth-running steer and load wheels

- Entry / exit rollers under the fork tips simplify pallet pick-up
- Tapered and ramped fork tips make pallet entry much easier, especially with shrink-wrapped loads
- Low rolling resistance

Subject to modification in the interest of progress. Illustrations and technical details could include options and not binding for actual constructions. All dimensions subject to usual tolerances.

Presented by:



Linde Material Handling GmbH
Postbox 10 0136 | 63701 Aschaffenburg | Germany
Phone + 49 6021 99 0 | Fax + 49 6021 99 15 70
www.linde-mh.com | info@linde-mh.com

Printed in Germany 773.e.0,5.0318.IndA.Ki